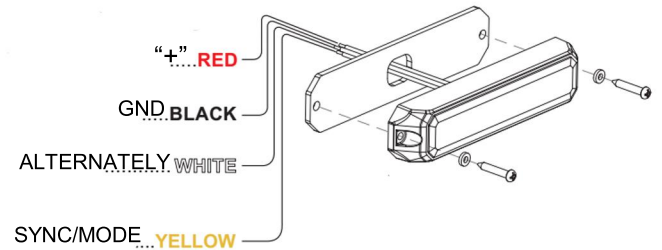


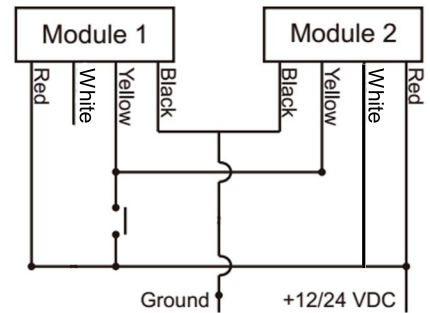


### Wire Instructions:

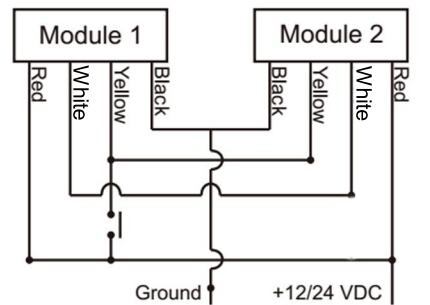
- To activate the unit, extend the red (+) wire to a 12V post. Extend the black (-) wire to the ground post of the vehicle's battery.
- Synchronization: To Sync two or more light heads together:
  - Connect YELLOW wires of all heads together for Synchronization
  - All heads must be on same flash pattern to be able to sync.
- To select Flash Pattern, apply YELLOW to RED
  - Less than 1 second for next pattern
  - More than 5 seconds for steady burn or reset
- Pattern alternately:
  - Connect one of the white wires to the red(+) wires all the time



### Pattern Alternately



### Pattern Synchronization



### Product Features:

- Powered by DC 12-24V
- Single-color or dual-color available
- 3W high-intensity LED
- 18 Flash Patterns with Pattern Memory
- Synchronization or alternate between multiple units
- Low-profile thickness, Compactly sized for versatile application
- Heavy-duty aluminum housing
- Long life LEDs rated to 100,000 hours of reliable operation
- Black flange included for protection and stealth

### Specifications:

LED Power: 12 PCS 3W
Lens: TIR
LED Lifespan: 100000H
Flash Pattern: 18
Input Voltage: 12-24V
Max Power: 36W
Max Current: 700mA@12.8V DC
Ambient Temperature: -30~+70 C
Waterproof: IP67
Product Dimension: 136mm L * 43.2mm W * 11.5mm
Mounting: Surface mount
Wire: 4 core
Cable length: 20cm
Material: PC housing and aluminum alloy base

### Flash Patterns:

Random (default)
Single(split)      Single H/L(all)
Double(split)      Steady 2 (california)
Quad(split)
Quint(split)
Mega(split)
Ultra(split)
Single-Quad(split)
Single H/L(split)
Single(all)
Double(all)
Quad(all)
Quint(all)
Mega(all)
Ultra(all)
Single-Quad(all)

**UNIT SIGNAL, INC.**

www.unitsignal.com

