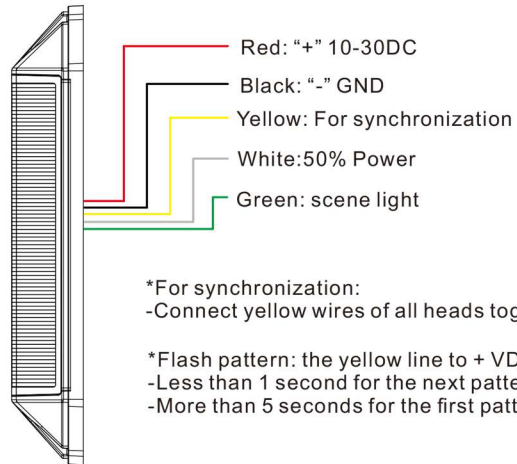




Wire Instructions:



*For synchronization:
 -Connect yellow wires of all heads together for synchronization

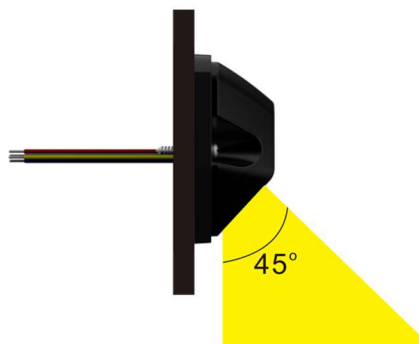
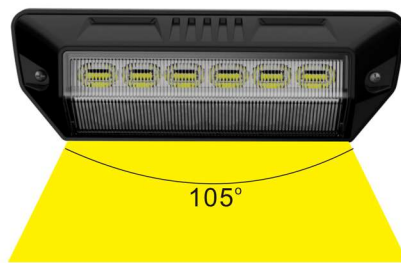
*Flash pattern: the yellow line to + VDC
 -Less than 1 second for the next pattern
 -More than 5 seconds for the first pattern

Product Features:

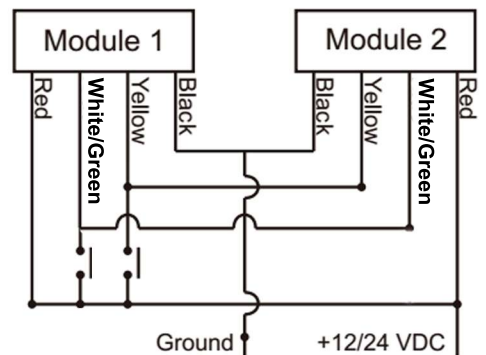
- Powered by 10-30V
- Warning LED (6pcsx3W LEDs) with Scene LED (6pcsx4W LEDs)
- 19 Flash Patterns with Pattern Memory
- Wide-angle(105°) for scene light
- Meet ECE R65 Class 2 and SAE Class 1
- Synchronization function between multiple units
- Compactly sized for versatile application
- IP69K Standard
- Heavy-duty aluminum housing(white or black)

Specifications:

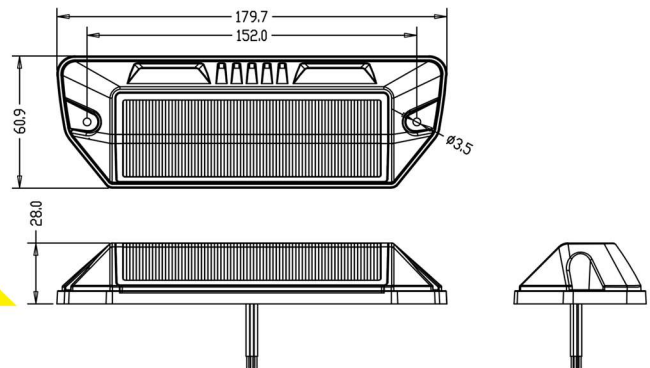
LED Power: 3W LEDs
Lens: TIR
LED Lifespan:100000H
Flash Pattern: 19
Input Voltage:10-30V
Max Power: /
Max Current:700mA@12.8V DC
Ambient Temperature: -30~+70 C
Waterproof: IP69K
Dimension: 179.7*60.9*28mm
Mounting: Surface Mount
Wire: 5 core
Cable length: 20cm
Material: Aluminum,UV-resistant PC



Pattern Synchronization



TECHNICAL DRAWING



UNIT SIGNAL, INC.

www.unitsignal.com

