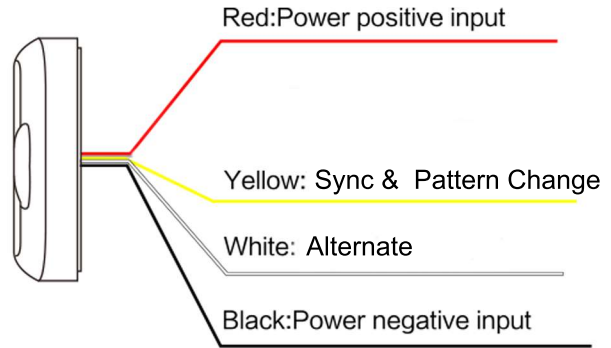




### Wire Instructions:

- To activate the unit, extend the Red wire to a 12V post. Extend the black (-) wire to the ground post of the vehicle's battery.
- Synchronization: To Sync two or more light heads together: Connect all the Yellow wires together.
- To select Flash Pattern, apply YELLOW to RED - Less than 1 second for next pattern



### Product Features:

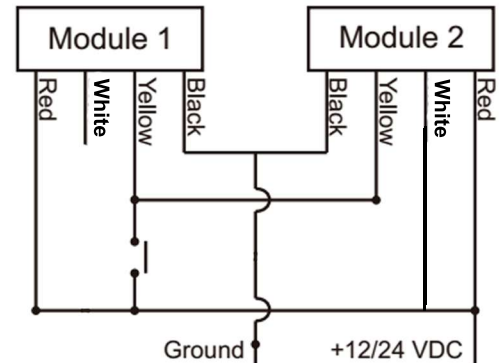
- Mounted on curved surfaces for different angles with 3M tape
- Powered by DC 12-24V
- 3/4/6 Pcs CREE LEDs
- Single color or split color available
- Surface mount or 3M mount for optional choice
- New design program and easy to sync and alternate lights together
- IP-67 Standard, Weatherproof
- Built-in 18 selectable flash patterns
- PC lens and PP material

### Specifications:

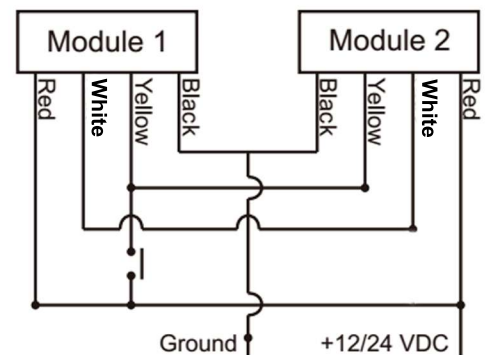
LED Power: 3W LEDs
Lens: /
LED Lifespan: 100000H
Flash Pattern: 18
Input Voltage: 12-24V
Max Power: /
Max Current: 700mA@12.8V DC
Ambient Temperature: -30~+70 C
Waterproof: IP67
Dimension: 114/141/196*30*9mm
Mounting: Surface or 3M mount
Wire: 4 core
Cable length: 20cm
Material: PC lens and PP material



### Pattern Alternately



### Pattern Synchronization



**UNIT SIGNAL, INC.**

www.unitsignal.com

