

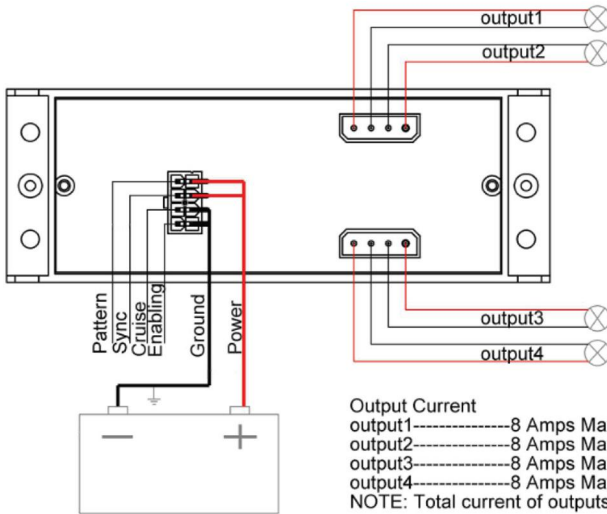


Product Features:

- Reliable, solid-state, two-output LED flasher
- 25 flash patterns in total
- Insulating paint electronics
- Waterproof: IP65
- Excellent for applications requiring exterior mounting
- Standard 12V DC, DC 24V for optional choice
- It can control LED modules without the program
- Use terminals instead of wires to simplify wiring connections
- There are two outputs with heavy-duty Amperage(less than 8A)

SPECIFICATIONS

Item	Output	Amps per Output	Total Amps
Flasher	2	8A Max Each	16A Max



Notice

If you want to change pattern, connect the wire to power wire for flash patterns change. Holding 2-3 seconds for the default pattern(first pattern) and 3-4 seconds for 50% power mode .

