



Wire Instructions:

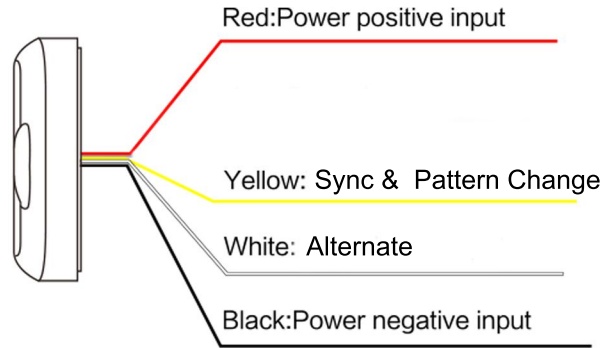
- To activate the unit, extend the Red wire to a 12V post. Extend the black (-) wire to the ground post of the vehicle's battery.
- Synchronization: To Sync two or more light heads together: Connect all the Yellow wires together.
- To select Flash Pattern, apply YELLOW to RED - Less than 1 second for next pattern

Product Features:

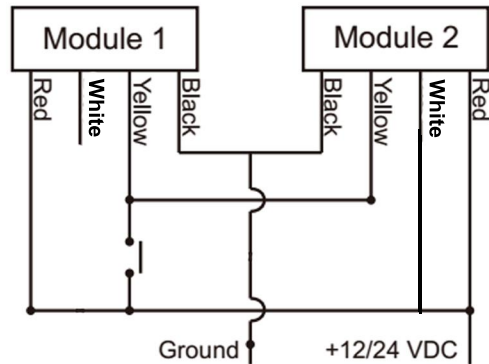
- Compliant with ECE R65 and R10, SAE J595.
- Powered by DC 12 -24V
- 3/4/6/12/18/24 Pcs CREE or Osram LEDs
- Single color or split color available
- Surface mount or 3M mount for optional choice
- New design program and easy to sync and alternate lights together
- IP-67 Standard, Weatherproof
- Built-in 19 selectable flash patterns
- Aluminum base for efficient heat dissipation

Specifications:

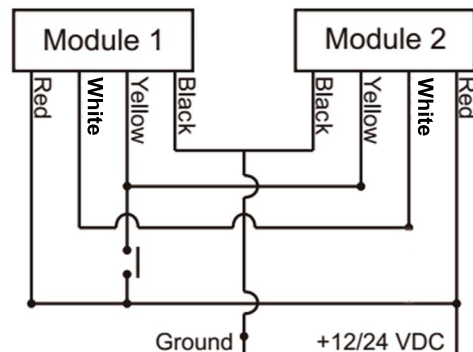
LED Power: 3W LEDs
Lens: /
LED Lifespan:100000H
Flash Pattern: 19
Input Voltage:12-24V
Max Power: /
Max Current:700mA@12.8V DC
Ambient Temperature: -30~+70 C
Waterproof:IP67
Dimension: TS03/04: 82/99*30*10mm TS06/12/18/24:130*30/40/55/65*10mm
Mounting: Surface or 3M mount
Wire: 4 core
Cable length: 20cm
Material:PC housing and aluminum alloy base



Pattern Alternately



Pattern Synchronization



UNIT SIGNAL, INC.

www.unitsignal.com

