

S60 60W Motorcycle Siren & Speaker



S60 Motorcycle Siren And Speaker

System Specification

Siren Specification:

Input Voltage:	12V DC
Temperature Range:	-20°C to +65°C
Max Current:	3.5A
Stand By Current:	30mA
Power Output:	60W
Main Fuse:	10A
Feature 1:	Air Horn
Feature 2:	2 Tones
Feature 3:	Included Mic
Speaker Impedance:	8 Ohm
Output Voltage:	17V RMS
Audio Response:	20Hz-10KHZz
Audio Power:	48W
Harmonic Distortion:	Less than 0.1%
Input Impedance(PA):	more than 4000 Ohms
Frequency Range:	715 to 1500HZ
Housing:	Aluminum
Siren Overload Protection:	Siren Overload Protection Turn off for until the overload disappears then Auto Restart Wail - 15 cycles/min.
Nominal Cycle Rate:	Yelp - 105 cycles/min.

Handheld System Specification:

Operating Voltage:	12V DC
Temperature Range:	-20°C to +50°C
Standby Current:	1mA
Number of Outputs:	2
Output Equipments Max Current:	One way out 10 A Two way out 5A

Motorcycle Siren Mounting

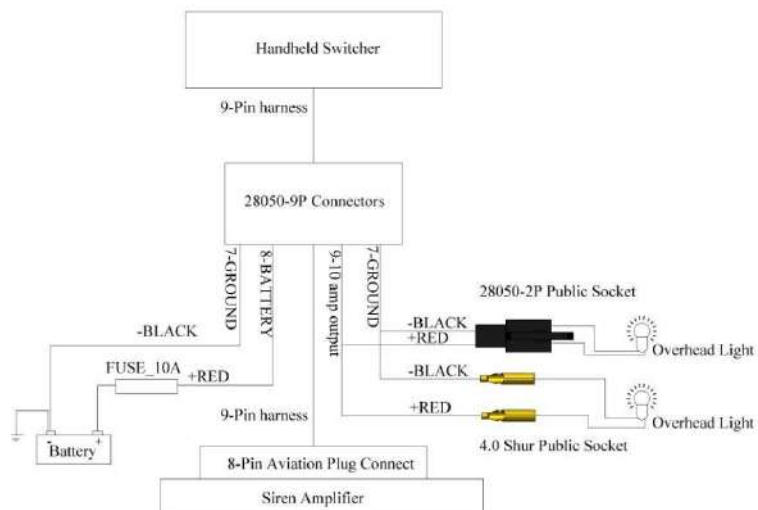
1. Place the unit against the intended mounting surface
2. Mark the areas where the mounting holes will be drilled. If the mounting surface is part of the vehicle, make
3. sure no vital components could be damaged by the drilling process.
4. 3.) Pre-drill two 1/4" mounting holes on the mounting surface, making sure no vital components of the surface are damaged
5. 4.) Make sure to deburr the holes thoroughly.
6. 5.) Using customer provided screws, secure the Siren Amplifier to the mounting surface.



Motorcycle Siren Handheld Mounting

7. Join the Switcher plastic locker on the middle of handgrip .
8. Screw the controller by M5X20 bolts

Wiring Diagram



Operation:



Safety Regulations

The following provides all the information necessary to safely operate the previously listed products of our company .

Please read this manual thoroughly before installing or operating your new product in order to prevent any damage or injury.

Failure to follow the listed instructions in this manual may result in damage to your products or personal injury.

- Proper installation of this product requires good knowledge of automotive systems, electronics and procedures.
- Please guarantee all vital components of the vehicle are not in danger of being damaged by drilling holes necessary for installation. Check all sides of the mounting surface before drilling any holes into the vehicle.
- Do not install this product in any way that interferes with the deployment of the air bag. Doing so may damage the effectiveness of the air bag and can lead to serious personal and vehicle injury. The installer will assume full responsibility of proper installation of the new unit.
- The product's ground wire must be connected directly to the Negative (-) battery post for effective use of the unit.
- Please follow all wiring guidelines provided to guarantee long lifespan and productivity. Failing to follow these instructions may result in damage to the product.

Service After Expiration

We will still provide service for all products after expiration of the warranty. For any issues, call the customer support line.

In some instances it may be necessary for the product to be shipped, freight prepaid and insured for loss or damage to star Way headquarters.

Warning

Utilizing non-factory screws and mounting brackets may result in loss of warranty coverage.



Full Function Box Contents

Product	Quantity
Siren Amplifier	1
Handheld switcher	1
Mini Microphone	1
Mounting bolts M6x40	2
use 10A	2
Harness	1

