



### Wire Instructions:

- To activate the unit, extend the **Positive** wire to a 12V post. Extend the black (-) wire to the ground post of the vehicle's battery.
- Synchronization: To Sync two or more light heads together:
  - Connect **YELLOW** wires of all heads together for Synchronization
  - All heads must be on same flash pattern to be able to sync.
- To select Flash Pattern, apply **YELLOW** to **RED** or **BLUE** wire
  - Less than 1 second for next pattern
  - More than 5 seconds for reset
- Pattern alternately:
  - Connect one of the white wires to Positive and another white wire to negative.

### Product Features:

- Powered by DC 12-24V
- 12 Pcs 3W LED
- Weather and vibration resistant
- Surface mount, Screw mount
- Single or Dual color available
- Built-in 10 selectable flash patterns with Pattern Memory
- IP-67 Standard
- Long life LEDs rated to 100,000 hours of reliable operation
- Reverse polarity protection

Wire: **RED / BLUE / GREEN** (50% power)  
For Power supply to + 10-33V DC

Wire: **BLACK**  
For Ground

Wire: **YELLOW**  
For Synchronization & Flash Patterns

Wire: **WHITE**  
For Simultaneous or Alternating Flash



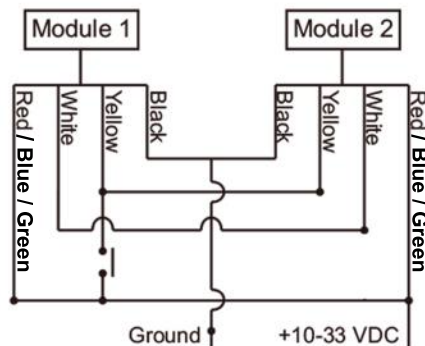
### Specifications:

LED Power: 3W LEDs
Lens: /
LED Lifespan: 100000H
Flash Pattern: 10
Input Voltage: 12-24V
Max Power: 36W
Max Current: 700mA@12.8V DC
Ambient Temperature: -30~+70 C
Waterproof: IP67
Product Dimension: 200*94*40 mm
Mounting: 4 mounting methods
Wire: 6 core
Cable length: 20cm
Material: PC housing and aluminum alloy base

### Flash Patterns:

Single R65
Double R65
Triple R65
Quad R65
Random
Single SAE
Double SAE
Quad SAE
Ultra(all)
Single-Quad(all)
Steady 50%

#### Pattern Synchronization



#### Pattern Alternately

