

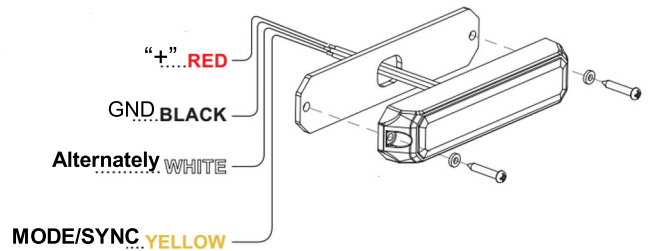


## Wire Instructions:

- To activate the unit, extend the red (+) wire to a 12V post. Extend the black (-) wire to the ground post of the vehicle's battery.
- Synchronization: To Sync two or more light heads together:
  - Connect **Yellow** wires of all heads together for Synchronization
  - All heads must be on same flash pattern to be able to sync.
- To select Flash Pattern, apply YELLOW to RED
  - Less than 1 second for next pattern
  - More than 3 seconds for steady burn or reset
- Pattern alternately:
  - **Connect one of the white wires to the red(+) wires all the time**

## Product Features:

- Powered by DC 10-30V
- 6/12 high intensity LED with optic lenses
- Single or dual color available
- Surface Mount
- Aluminum base for efficient heat dissipation
- Built-in 19 selectable flash patterns with Pattern Memory
- IP-67 Standard, Weatherproof and vibration resistant design
- Long life LEDs rated to 100,000 hours of reliable operation
- Reverse polarity protection



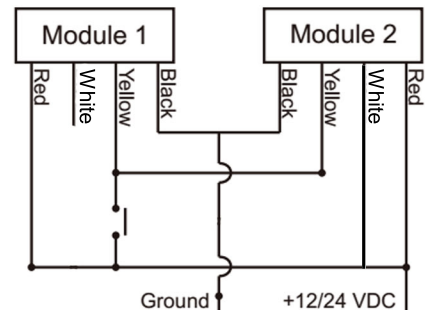
## Specifications:

LED Power:6PCS 3W
Lens: Fresnel lens
LED Lifespan:100000H
Flash Pattern: 19/12
Input Voltage:10-30V
Max Power:18W
Max Current:700mA@12.8V DC
Ambient Temperature: -30~+70 C
Waterproof:IP67
Product Dimension: 125*27.3*11.5mm
Mounting:Surface mount
Wire: 4 core
Cable length: 25cm
Material:PC housing and aluminum alloy base

## Flash Patterns:

Random (default)
Single(split)      Single H/L(all)
Double(split)      Steady 2 (california)
Quad(split)      Steady 4(all)
Quint(split)
Mega(split)
Ultra(split)
Single-Quad(split)
Single H/L(split)
Single(all)
Double(all)
Quad(all)
Quint(all)
Mega(all)
Ultra(all)
Single-Quad(all)

### Pattern Alternately



### Pattern Synchronization

