

Product Features:

- Powered by DC 10-33V
- 3W LED with new super thin(7mm) design
- Plastic of Optics lens from Degussa(GER) and LED Driver from MPS(UK)
- Surface mount or 3M mount or L-bracket mount or hood mount
- Single color available
- Built-in 12 selectable flash patterns with Pattern Memory
- IP-67 Standard, Weatherproof
- Long life LEDs rated to 100,000 hours of reliable operation
- Reverse polarity protection

Specifications:

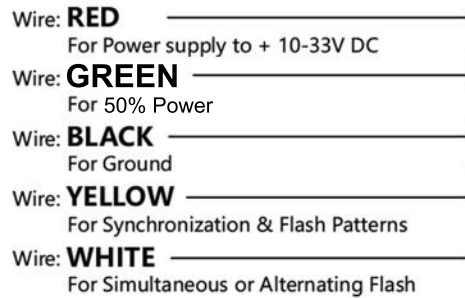
LED Power: 3W LEDs
Lens: /
LED Lifespan:100000H
Flash Pattern: 12
Input Voltage:10-33V
Max Power:18W
Max Current:700mA@12.8V DC
Ambient Temperature: -30-+70 C
Waterproof:IP67
Product Dimension: 118*25*7mm
Mounting: 4 mounting methods
Wire: 5 core
Cable length: 20cm
Material:PC housing and aluminum alloy base

Flash Patterns:

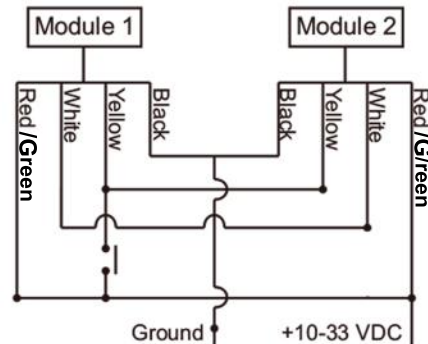
Single R65
Double R65
Triple R65
Quad R65
Random
Single SAE
Double SAE
Quad SAE
Ultra(all)
Single-Quad(all)
Steady 50%

Wire Instructions:

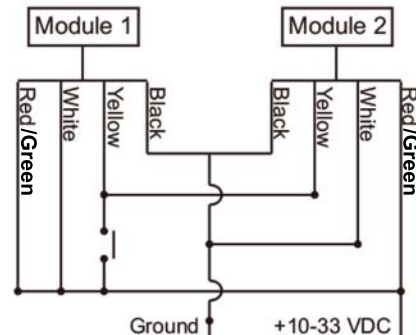
- To activate the unit, extend the **Positive** wire to a 12V post. Extend the black (-) wire to the ground post of the vehicle's battery.
- Synchronization: To Sync two or more light heads together:
 - Connect **YELLOW** wires of all heads together for Synchronization
 - All heads must be on same flash pattern to be able to sync.
- To select Flash Pattern, apply **YELLOW** to **RED**
 - Less than 1 second for next pattern
 - More than 5 seconds for reset
- Pattern alternately:
 - Connect one of the white wires to Positive and another white wire to negative.



Pattern Synchronization



Pattern Alternately



UNIT SIGNAL, INC.

www.unit signal.com

