

**Product Features:**

- Powered by DC 10-33V
- 8Pcs 3-watt high intensity LEDs
- Single color or Dual color available
- Plastic of Optics lens from Degussa(GER) and LED Driver from MPS(UK)
- New design of Aluminum base increase heat dissipation
- Easy to install for surface or internal mount within head light, tail light
- IP-67 Standard, Weatherproof
- Long life LEDs rated to 100,000 hours of reliable operation
- Easily replaces traditional hideaway strobe with existing 1" hole

**Specifications:**

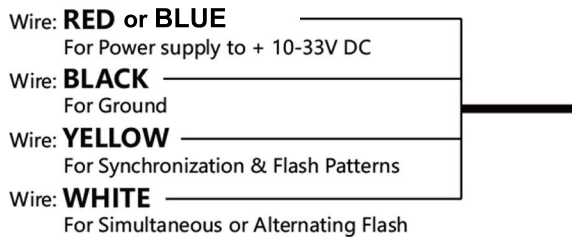
LED Power: 8PCS 3W
Lens: /
LED Lifespan:100000H
Flash Pattern: 12
Input Voltage:10-33V
Max Power:12W
Max Current:700mA@12.8V DC
Ambient Temperature: -30~+70 C
Waterproof:IP67
Product Dimension: 55mm x 21.6mm H
Mounting:Surface mount
Wire: 4 core or 5 core
Cable length: 20cm
Material:PC housing and aluminum alloy base

**Flash Patterns:**

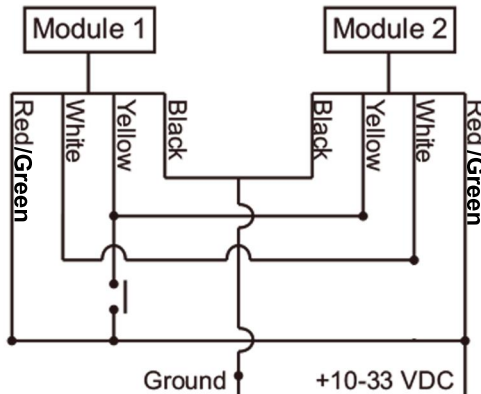
ECE R65 Single(all)
ECE R65 Double(all)
Tripe R65
Quad R65
Random (default)
Single-SAE
Double-SAE
Quad-SAE
Ultra
Single to Quad
Warp
Steady 50%

**Wire Instructions:**

- To activate the unit, extend the **Positive** wire to a 12V post. Extend the black (-) wire to the ground post of the vehicle's battery.
- Synchronization: To Sync two or more light heads together:
  - Connect **YELLOW** wires of all heads together for Synchronization
  - All heads must be on same flash pattern to be able to sync.
- To select Flash Pattern, apply **YELLOW** to **RED** or **BLUE**
  - Less than 1 second for next pattern
  - More than 5 seconds for reset
- Pattern alternately:
  - **Connect one of the white wires to Positive and another white wire to negative.**



**Pattern Synchronization**



**Pattern Alternately**

