

**NOTE:**

If siren is unused or leave the vehicle, please turn off the power!

**7 PACKING LIST:**

Item	Specific	Quantity	Unit
1	Siren host	1	pcs
2	Control, the hold for control	1	set
3	100W speaker with CJB-100RD host	1	pcs
	150W speaker with CJB-150RD host	1	pcs
	200W speaker with CJB-200RD host	1	pcs
4	4m 6chip data access cable, spring cable and 6 chip transformer	1	set
5	Install bolt, patch fuse and so on fitting bag	1	bag
6	Quadrate Connect With 4 pin, 2m cable for plugs	1	bag
7	Manual, guarantee card	1	pcs
8	Connect wire of speaker	1	set
9	Connect wire of light controller	1	set



The products use area in police, inspect, judge -ment and so on law executor department.

**CJB-RD-1SERIES**

HANDSET AND SPLIT MULTIFUNCTIONAL SIREN

**MANUAL**

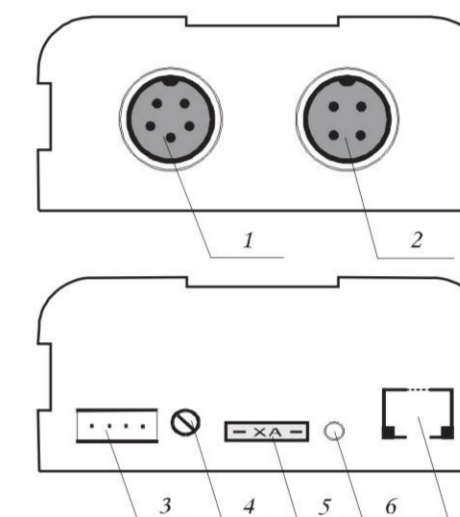


ISO9001:2008 quality management certification  
 ISO14001:2004 environment management certification  
 ISO18001:2007 health and safety management certification

**HANDSET FUNCTION MANUAL:**

- 1, Panel
- 2, Six chip tel socket: use the 6spring data access cable and 6spring tel conversion socket connect;
- 3, Tone change left button: tone control left button, see the techinc-parameter table
- 4, Tone change right button: tone control right button, see the techinc-parameter table
- 5, Light control button I : to control a group warning light (assistant light), the button shine, that means this group working; the button off, that mean this group stop work.
- 6, Light control button II : to control a group warning light (assistant light), the button shine, that means this group working; the button off, that mean this group stop work.
- 7, Light control button III: to control a group warning light (assistant light), the button shine, that means this group working; the button off, that mean this group stop work.
- 8, Radio button: use to control radio specially, button shine, that means the radio is amplificatory. the radio stop amplificatory
- 9, Tone change button: -----
- 10, Power on/off button: host power control
- 11, Speak area: speak
- 12, Tone whisht: to control the siren to wish. button shine then work, off then stop.
- 13, Antiaircraft tone button: speail button for antiaircraft tone. press speak button then press this. then to choose.
- 14, Whistle tone button: to control the siren to wish. button shine then work, off then stop.
- 15, Speak volume adjust button: adjust the volume for speak, can not adjust the tone .

- 16, Speak control button: press this button to speak, then amplificatory; at same time press this button to set: This products have the memory out put function, all memory work need press this button to finished.
- Antiaircraft tone choose:** press speak control button, then press antiaircraft tone button.
- Whistle tone choose:** press speak control button, then press whistle tone button.
- Set for Out put after turn on in auto:** 3group light control, radio, tone set on/off (radio or tone is locked). press this button, if the light control/radio/tone indication shine, that means can Out put after turn on in auto; cancel then press the button which indication shining, then the indication off; set then press the function button, the indication shine. after set, next time, when turn on the out put will accord to the set way.



Map 2  
CJB-RD-1 SIREN HOST SKETCH MAP

**1 SUMMARIZE:**

CJB-RD-1 series model siren for vehicle, it is the new high technological products, which develop by our company latterly. the siren with advance design idea, smart shape, all-sided function, easy to use. the host use stick electron and IC large-scale, reduce the adjust electron. it make the quality stably and reliable.

Use the split kind, make the install and use faster. CJB-RD-1 siren is good at used in police, ambulance, project repair and so on special vehicle. and good at used in collier, vessel, military, guard against theft and so on department.

**2 TECHINC-PARAMETER:**

Frequency periods	Accord with GB8108-1999	Distortion	1KHz ≤ 1.5%	
Work voltage	DC10.8V ~ DC13.8V	Host size	198 × 108 × 48	
Work temperature	-30℃ ~ 55℃	Mic	500Ω -72 ± 4dB	
Model	CJB-100RD	CJB-150RD	CJB-200RD	
Out put voltage	116dB ~ 118dB	120dB ~ 124dB	125dB ~ 128dB	
Out put voice	8Ω	6Ω	4Ω	
Power	100W	150W	200W	
Tone	Item	1	2	3
	Siren	POLICE	FIRE FIGHTING	WRECKER
Antiaircraft tone	Low tone antiaircraft	High tone antiaircraft	6s wrecker	
Whistle tone	Whistle I (500HZ)	Whistle II (1000HZ)	Whistle III	

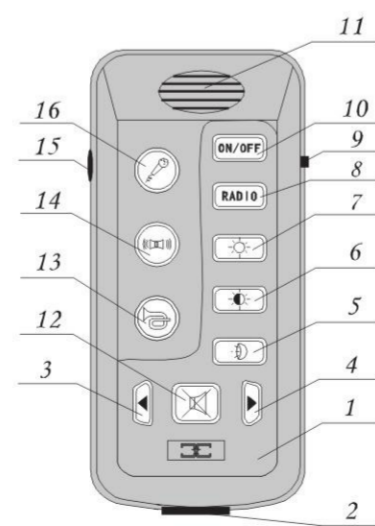
**3 FUNCTION MANUAL:**

The products include the CJB-RD-1 handset control and CJB-RD-1 host.

- 1, Press button to show background
- 2, Memory before off
- 3, Various tone choose
- 4, With 3 group light control to control (each group control out put current ≤ 20A)
- 5, Speak volume adjust
- 6, With radio function
- 7, Press auto horn to control the hooter.

**4 The CJB-RD-1SERIES handset control manual:**

- 1, Panel
- 2, Six chip tel socket
- 3, Tone change left button
- 4, Tone change right button
- 5, Light control button I
- 6, Light control button II
- 7, Light control button III
- 8, Radio button
- 9, Tone change button
- 10, Power ON/OFF button
- 11, Speak area
- 12, Tone whisht
- 13, Antiaircraft tone button
- 14, Whistle tone button
- 15, Speak volume adjust button
- 16, Speak control button/memory function



Map 1  
Handset control sketch map

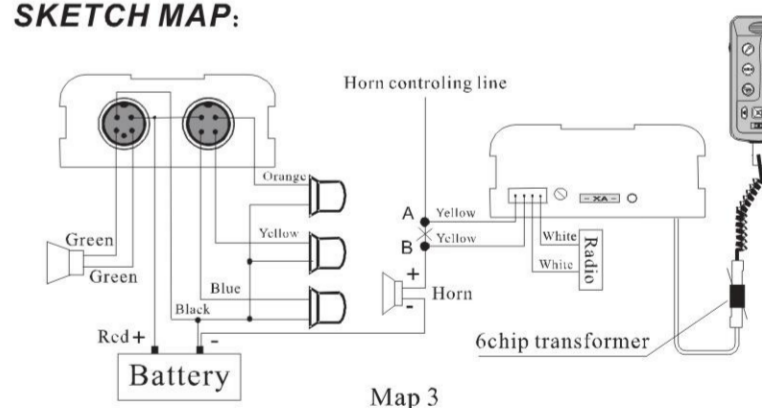
**CJB-RD-1 SERIES single track host manual:**

- 1, Φ 16 navigate socket: connect the speaker cable (with Φ 16 navigate socket connect; or connect lightbar cable (with Φ 16 navigate) socket;
- 2, Light control Φ 16 navigate socket: connect with lightbar cable (with Φ 16 navigate socket);
- 3, 4 pin bar connector socket: connect with wire (with bar connect socket)
- 4, Radio volume adjust button: adjust the volume of the radio;
- 5, Patch fuse;
- 6, Power indication: indication shine, host begin to work; indication off, host stop work;
- 7, 6 chip tel socket: connect with the 4m chip data access cable;

**5 INSTALL:**

- 1, Use bolt to fit the siren host to the place which is ventilated place, convenient.
- 2, Siren control fit in the place convenient to use, and assort with decorate of the car.
- 3, Speaker install, use the bolt (nut, wash, spring wash) to fit the speaker under engine cover (far away to the engine) or fit in lightbar.
- 4, Wire connect: before connect, please turn off the power. red cable connect with the + electrode of the battery; black connect with the - electrode battery; the green cable connect the speaker, no + - electrode. (the + - electrode cannot touch, otherwise, the host will be broken)
- 5, The siren host, warning light, horn, radio connect detail, please check the Sketch map 3:

**SKETCH MAP:**



Map 3

**NOTE:**

- 1, Way for Whistle connect, First: cut the cable of the horn from the place which mark X in the sketch map 3, connect the yellow cable to A point, connect other yellow cable to B point.
- 2, The host only use DC12v
- 3, Cable electrode can not change, otherwise will destroy the host.

**6 USE MANUAL:**

- 1, Ready: check the install cable and connect cable is correct
- 2, Turn on the host: press the power switch turn on/off, the background light shine and the host power indicator shine, that mean the host is working.
- 3, Using: press voice off button, then the indication shine, then change tone button to right or to left to choose the tone, all volume can not adjust, the host can be memory, restart host. The tone locked, the light control to control --- press the light control I once, the indication shined, that means this group light working; in same way to handle other two groups light control button. use the mic, press the speak control button to speak. the volume can change by the volume button.
- 4, Turn off: Press the turn on /off button, then the background light off, that means the host power off.