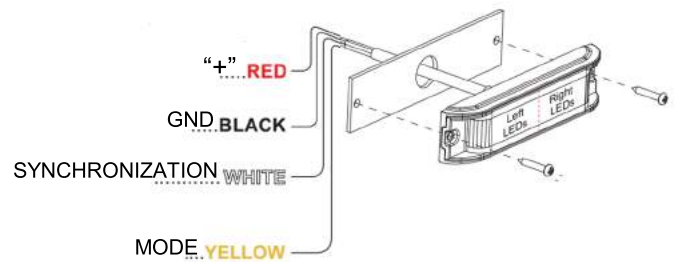


Wire Instructions:

- To activate the unit, extend the red (+) wire to a 12V post. Extend the black (-) wire to the ground post of the vehicle's battery.
- Synchronization: To Sync two or more light heads together:
 - Connect WHITE wires of all heads together for Synchronization
 - All heads must be on same flash pattern to be able to sync.
- To select Flash Pattern, apply YELLOW to RED
 - Less than 1 second for next pattern
 - More than 3 seconds for steady burn or reset
- Pattern alternately: Default

Product Features:

- Powered by DC 9 -30V
- 6 high intensity LED with optic lenses
- Extra steady on functions for vehicle identification or illumination
- 19 Flash Patterns with Pattern Memory
- Wrap around side optic for wider visibility
- Low profile for discreet mounting
- Simultaneously or alternately between multiple units
- Long life LEDs rated to 100,000 hours of reliable operation
- Reverse polarity protection



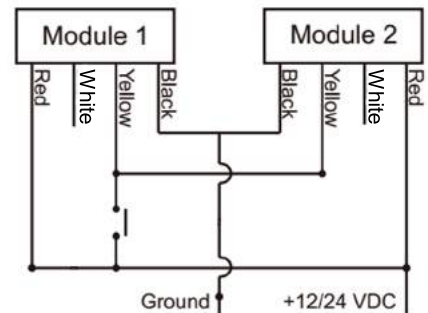
Specifications:

LED Power: 6 PCS 3W
Lens: TIR
LED Lifespan:100000H
Flash Pattern:19
Input Voltage:9-30V
Max Power:18W
Max Current:700mA@12.8V DC
Ambient Temperature: -30-+70 C
Waterproof:IP67
Product Dimension: 130mm L *30mm W*17mm H
Mounting:Surface mount
Wire: 4 core
Cable length:20cm
Material:PC housing and aluminum alloy base

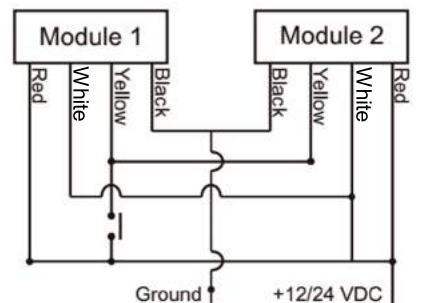
Flash Patterns:

Random (default)
Single(split) Single H/L(all)
Double(split) Steady 2 (california)
Quad(split) Steady 4(all)
Quint(split)
Mega(split)
Ultra(split)
Single-Quad(split)
Single H/L(split)
Single(all)
Double(all)
Quad(all)
Quint(all)
Mega(all)
Ultra(all)
Single-Quad(all)

Pattern Alternately



Pattern Synchronization



UNIT SIGNAL, INC.

Website: www.unitsignal.com

